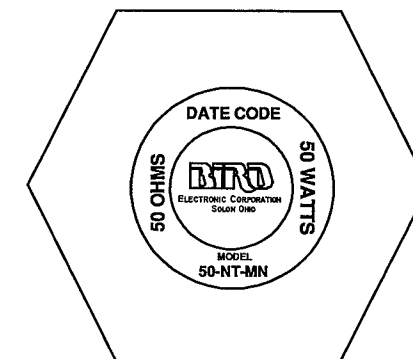
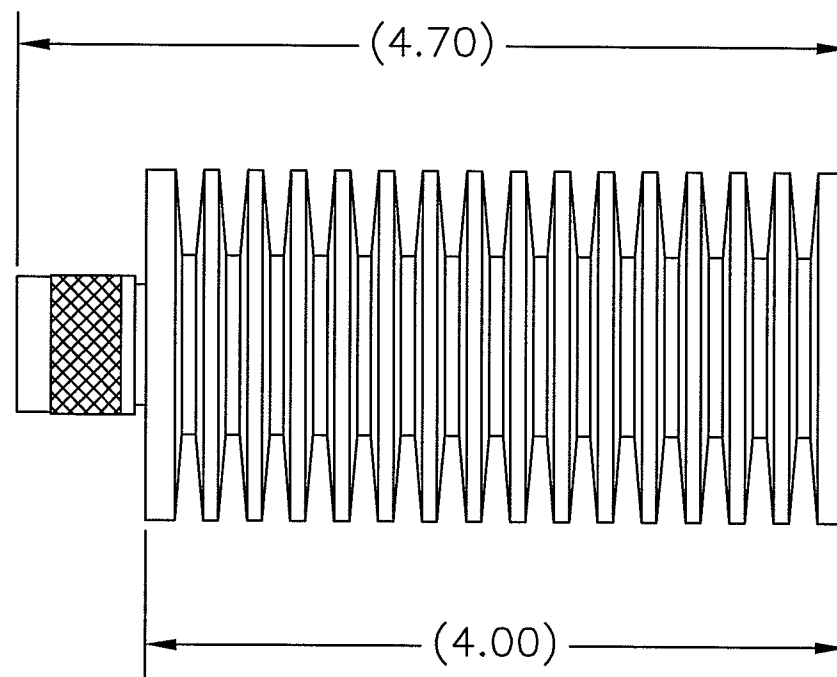
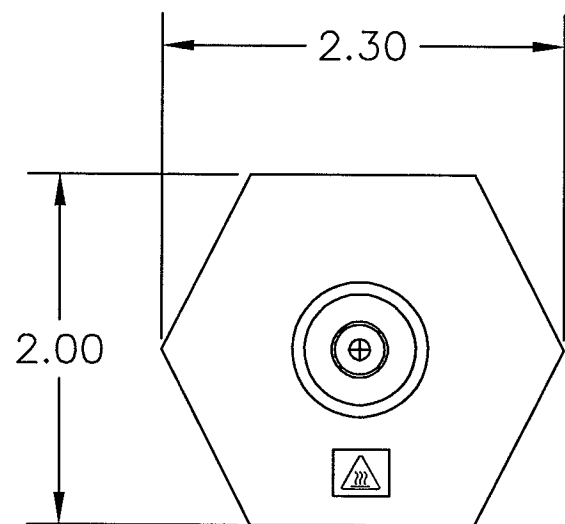


DWG NO. 50-NT-MN
SHEET 1
REV A

SPECIFICATIONS:
 POWER RATING: 50 W MAX. @ 25°C.
 FREQUENCY RANGE & VSWR:
 DC TO 1GHz AT 1.10:1 MAX.
 1GHz TO 3GHz AT 1.15:1 MAX.
 IMPEDANCE: 50 OHMS, NOMINAL
 AMBIENT TEMPERATURE RANGE: -40°C TO +40°C
 CONNECTOR: N-TYPE MALE (TRI-ALLOY PLATED)
 SUBSTRATE: ALUMINUM NITRIDE
 OPERATING POSITION: ANY (CONVECTION COOLED)
 FINISH: BLACK ANODIZED
 NOMINAL SIZE: APPROX. 4.70" L X 2.30"
 WEIGHT: APPROX. 1.1 LBS

REVISIONS				
ZONE	REV	DESCRIPTION	DATE	APPROVED
	A	CONVERT TO BEC FORMAT	DMR 6-4-03	MRU



UNLESS OTHERWISE SPECIFIED
 DIMENSIONS ARE IN INCHES
 TOLERANCES ARE:
 FRACTIONS DECIMALS ANGLES
 ± 1/64 .XX = ±.010 ± 30'
 .XXX = ±.005

MILLIMETERS
 .X = ±.4
 .XX = ±.12

DO NOT SCALE DRAWING

THIS DRAWING IS THE PROPERTY OF THE BIRD ELECTRONIC CORPORATION. THE DESIGNS AND SPECIFICATIONS DISCLOSED HEREON ARE PROPRIETARY AND SHALL NOT BE REPRODUCED, NOR COPIED, NOR USED AS THE BASIS FOR THE MANUFACTURE OR SALE OF APPARATUS OR DEVICES WITHOUT THEIR EXPRESS WRITTEN CONSENT.



MATERIAL	APPROVALS	DATE	TITLE		
	DRAWN D.M.RINK	6-4-03	TERMINATION, ALN SUBSTRATE N-TYPE MALE, 50W		
FINISH	CHECKED		SIZE	FSCM NO.	DWG. NO.
	APPROVED MRU	6-23-03	B	70998	50-NT-MN
		AUTOCAD	SCALE	COMM CODE	SHEET
			1:1	LD1	1 OF 1